

Cable Ducts

b/s/t PP Cable Duct KD

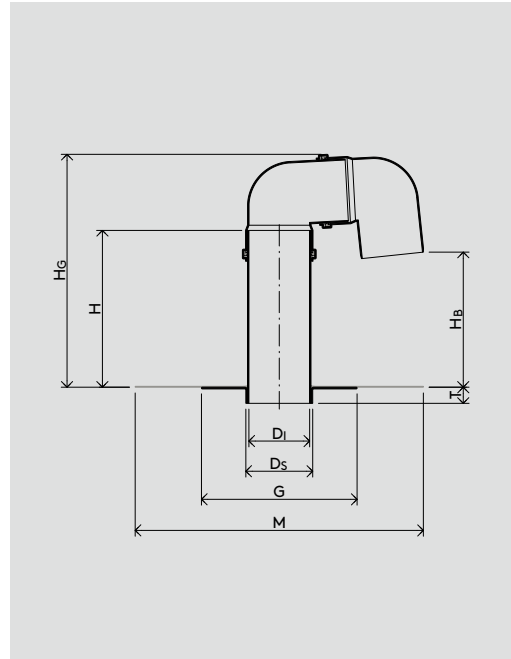
Specification ← **Material**
PP, high impact strength, UV-stabilised

Note
Model with two high impact strength 87°
PVC elbow pipes, UV-stabilised

Membrane flange
PP (see page 159)

INFO Please order ←
membrane
flange
separately

Special models ←
on request*



WG 2117 ←

| Nominal Width | Product No. | D ₁ ∅ [mm] | D _s ∅ [mm] | G [mm] | M [mm] | H [mm] | H _G [mm] | H _B [mm] | T [mm] |
|---------------|-------------|-----------------------|-----------------------|--------|--------|--------|---------------------|---------------------|--------|
| DN 50 | PP142-KD050 | 44.2 | 56 | 200 | 350 | 272 | 337 | 237 | 28 |
| DN 70 | PP142-KD070 | 70.4 | 81 | 200 | 350 | 272 | 362 | 227 | 28 |
| DN 100 | PP142-KD100 | 104.6 | 116 | 270 | 500 | 272 | 407 | 222 | 28 |
| DN 125 | PP142-KD125 | 118.8 | 131 | 270 | 500 | 272 | 455 | 240 | 28 |
| DN 150 | PP142-KD150 | 152.0 | 166 | 270 | 500 | 272 | 495 | 210 | 28 |
| DN 200* | PP142-KD200 | 187.6 | 206 | 400 | 580 | 272 | 512 | 192 | 28 |

* Custom-made products cannot be returned.
Status: 03/22 b/s/t GmbH Koch Kunststofftechnologie reserves the right to make technical modifications.