

# Cable Ducts

## b/s/t PP Energy Supply Duct KD

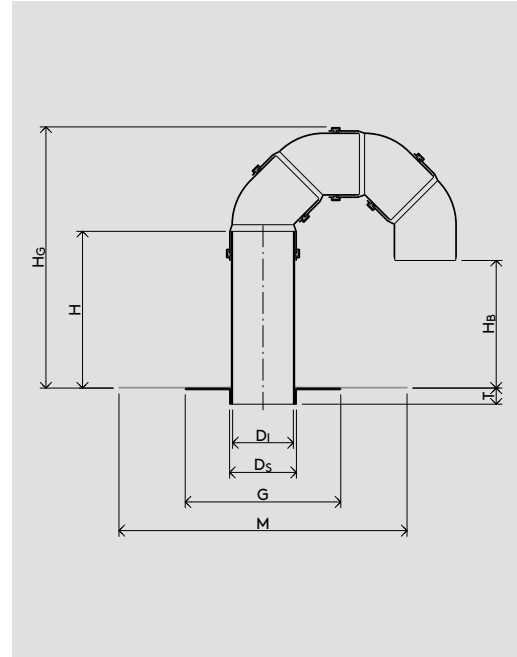
**Specification** ← **Material**  
PP, high impact strength, UV-stabilised

**Note**  
Model with four high impact strength 45° PVC elbow pipes, UV-stabilised

**Membrane flange**  
PP (see page 159)

**INFO** Please order ←  
membrane  
flange  
separately

Special models ←  
on request\*



**WG 2117** ←

Nominal Width	Product No.	D <sub>1</sub> ∅ [mm]	D <sub>s</sub> ∅ [mm]	G [mm]	M [mm]	H [mm]	H <sub>G</sub> [mm]	H <sub>B</sub> [mm]	T [mm]
DN 100	PP143-KD100	104.6	116	270	500	272	442	212	28
DN 125	PP143-KD125	118.8	131	270	500	272	475	212	28
DN 150	PP143-KD150	152.0	166	270	500	272	525	205	28

\* Custom-made products cannot be returned.  
Status: 03/22 b/s/t GmbH Koch Kunststofftechnologie reserves the right to make technical modifications.