

b/s/t PVC Vent

Stacking element

Specification ←

Material

PVC-U, high impact strength, UV-stabilised

Including PVC weather cap
(removable)

Special model*

DN 200, DN 250, DN 300

Maximum pipe length

1000 mm

Base plate

Inclination of 25° max. for DN 70 – 150

Inclination of 5° max. for DN 200 – 300

Membrane flange

PVC, EVA

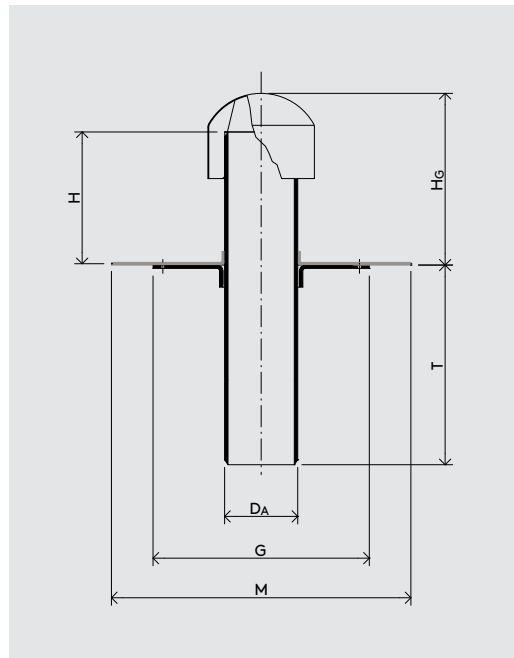
INFO

Please order ←
membrane flange
separately

Special models ←
on request*



Ø up to
300



WG 1111 ←

Nominal

Width	Product No.	$D_A \text{ [mm]}$	$AL^{**} \text{ [cm}^2\text{]}$	$G \text{ [mm]}$	$M \text{ [mm]}$	$H \text{ [mm]}$	$H_g \text{ [mm]}$	$T \text{ [mm]}$
DN 70	111-WD070	75	40	200	350	250	290	250
DN 100	111-WD100	110	87	230	500	250	310	250
DN 125	111-WD125	125	113	230	500	250	315	250
DN 150	111-WD150	160	185	300	500	300	365	250

* Custom-made products cannot be returned.

** AL = ventilation cross-section

Status: 11/17 b/s/t GmbH Koch Kunststofftechnologie reserves the right to make technical modifications.